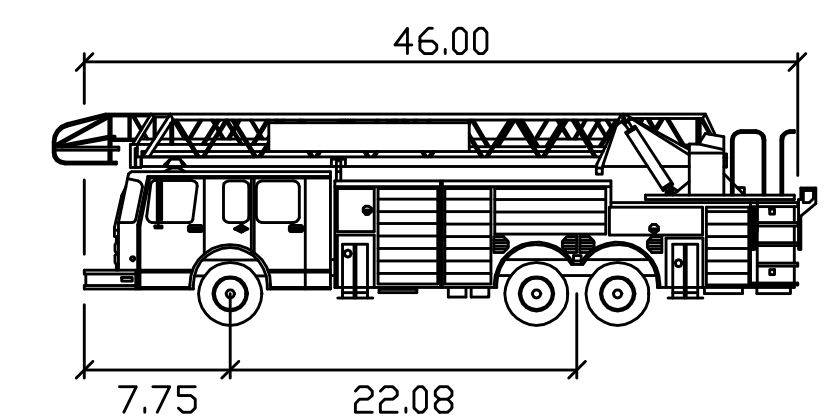
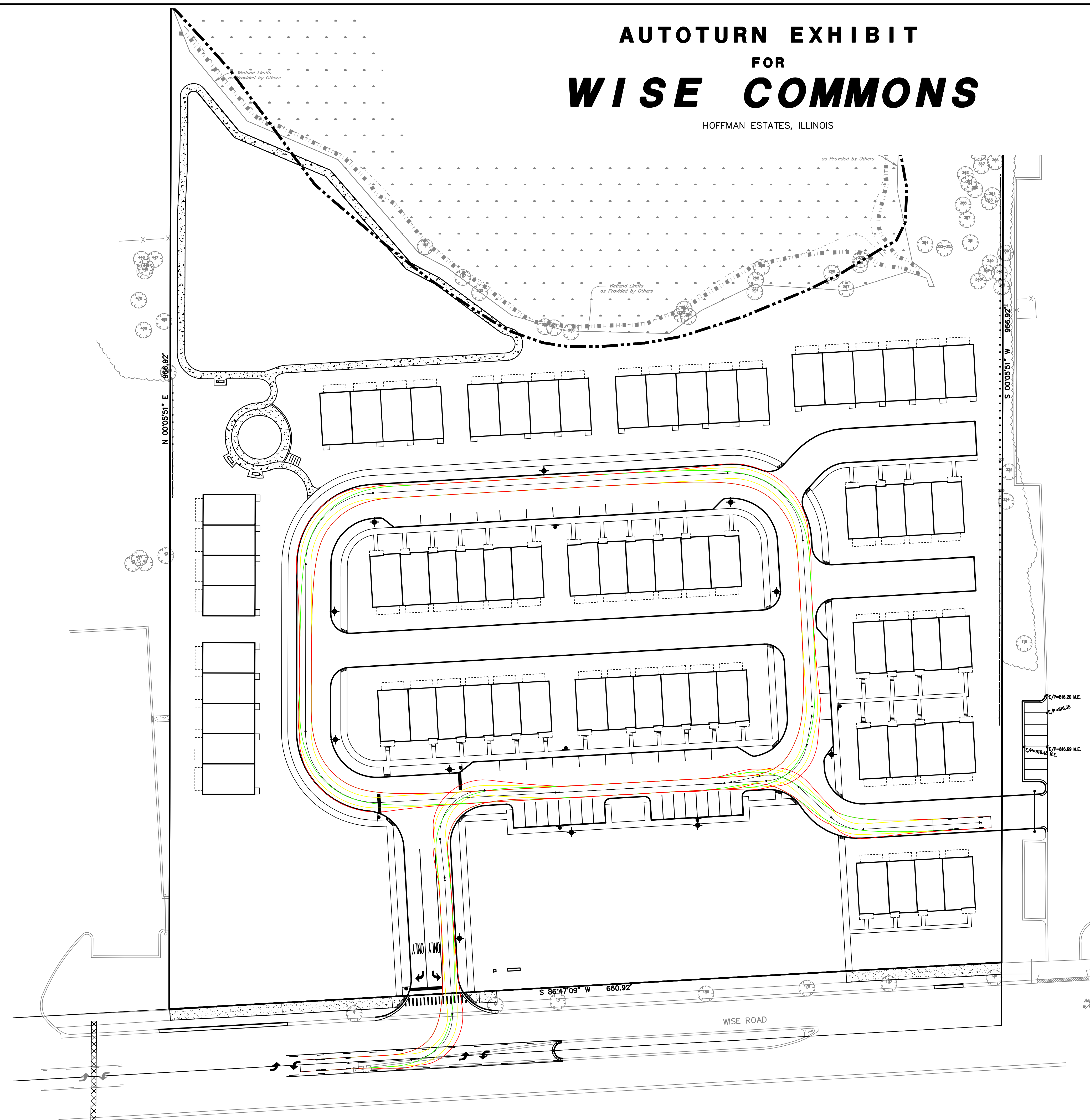
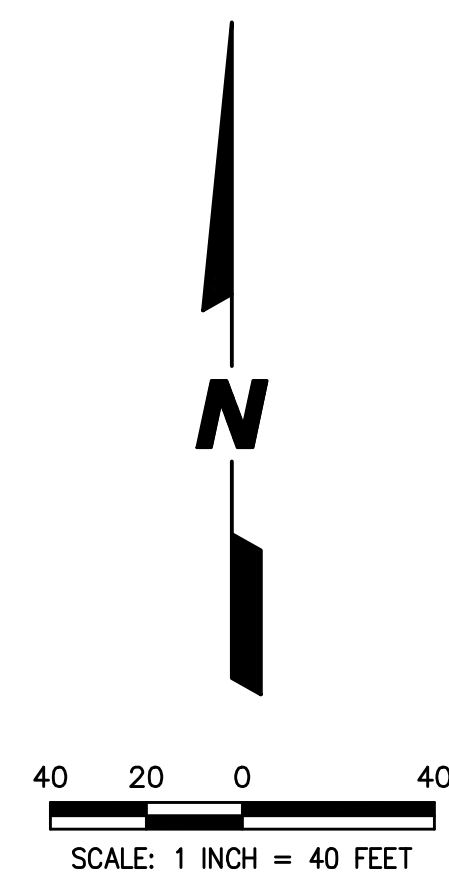


AUTOTURN EXHIBIT FOR **WISE COMMONS**

HOFFMAN ESTATES, ILLINOIS



FIRE TRUCK HOFFMAN
feet
Width : 9.17
Track : 9.17
Lock to Lock Time : 6.00
Steering Angle : 40.00

PREPARED FOR:
PULTE HOME COMPANY, LLC
1900 E. GOLF ROAD, SUITE 300
SCHAUMBURG, IL 60173
(847) 230-5400

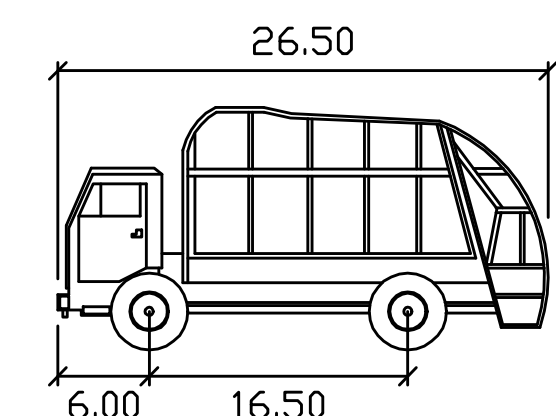
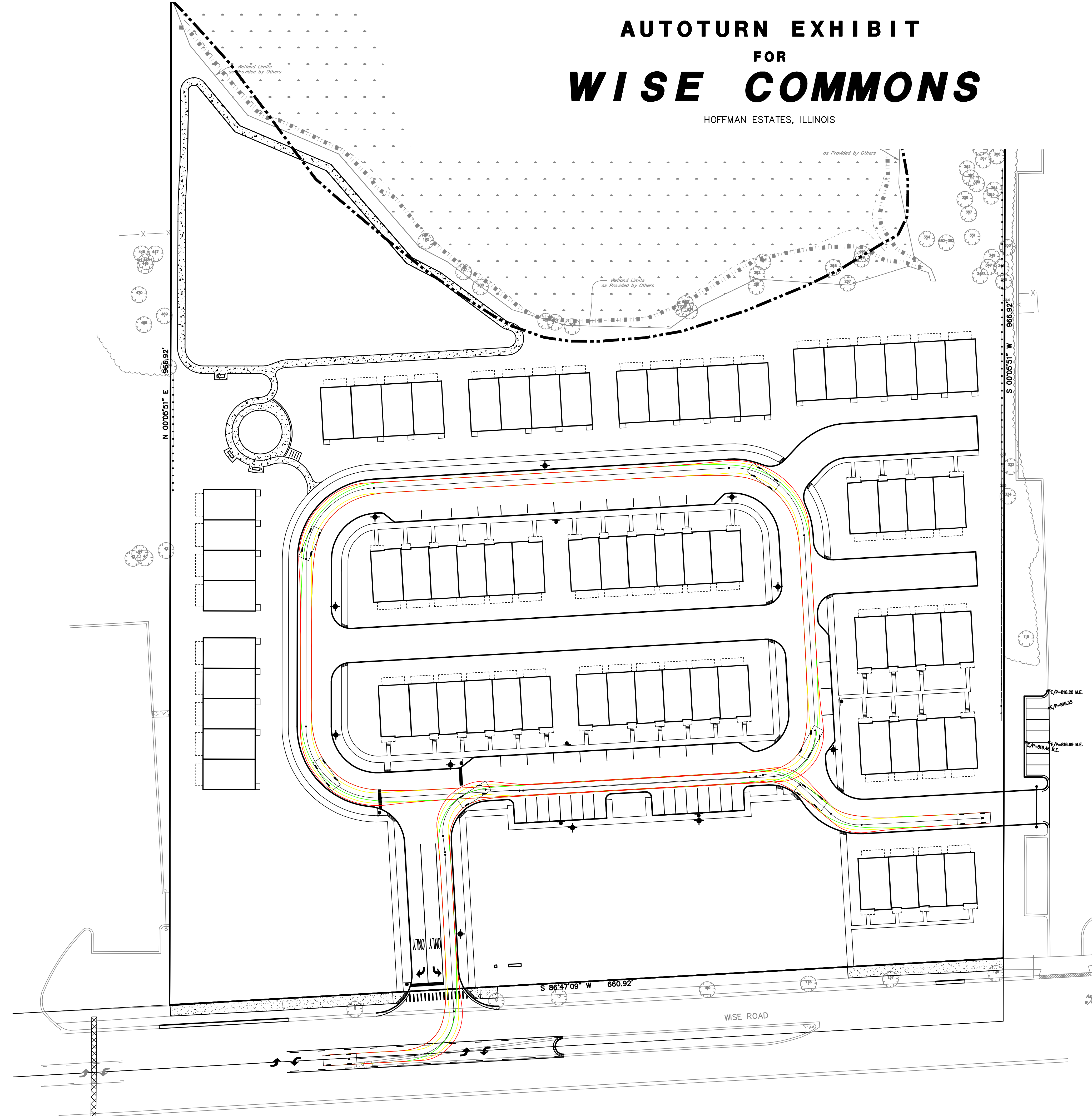
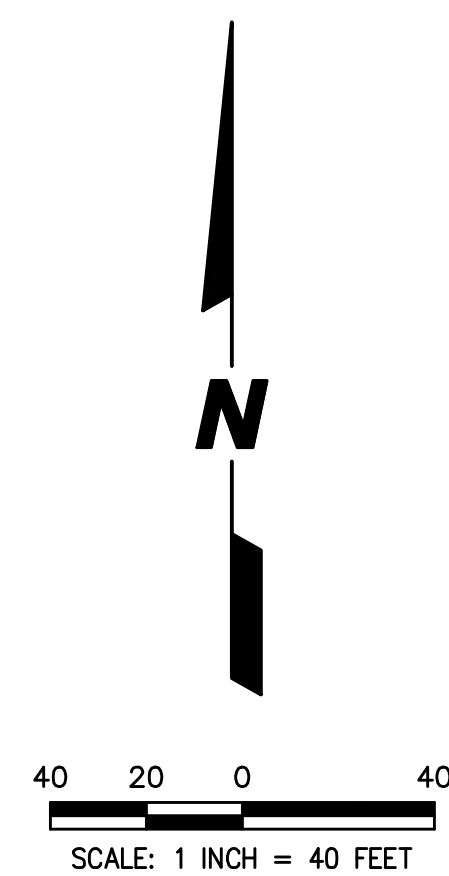
PREPARED BY:
CEMCON, Ltd.
Consulting Engineers, Land Surveyors & Planners
2280 White Oak Circle, Suite 100
Aurora, Illinois 60502-9675
PH: 630.862.2100 FAX: 630.862.2199
E-Mail: info@cemcon.com Website: www.cemcon.com

DISC NO.: 402.161 FILE NAME: AUTOTURN EXHIBIT
DRAWN BY: DDD FLD. BK. / PG. NO.: BK./PG.
COMPLETION DATE: 08-06-24 JOB NO.: 402.161
XREF : TOPO_2008, LOTCALC_2008, OVERALL PROJECT MANAGER : CRM

PLOT FILE CREATED: 8/13/2024 BY: KRISTIN STAFEREL DRAWING PATH: P:\402161\DWG\LAND\CEMCON\EXHIBITS\AUTOTURN_EXHIBIT.DWG

AUTOTURN EXHIBIT FOR **WISE COMMONS**

HOFFMAN ESTATES, ILLINOIS



GARBAGE	feet
Width	: 8.50
Track	: 8.50
Lock to Lock Time	: 6.00
Steering Angle	: 30.00

PREPARED FOR:
PULTE HOME COMPANY, LLC
 1900 E. GOLF ROAD, SUITE 300
 SCHAUMBURG, IL 60173
 (847) 230-5400

PREPARED BY:
CEMCON, Ltd.
 Consulting Engineers, Land Surveyors & Planners
 2280 White Oak Circle, Suite 100
 Aurora, Illinois 60502-9675
 PH: 630.862.2100 FAX: 630.862.2199
 E-Mail: info@cemcon.com Website: www.cemcon.com

DISC NO.: 402.161 FILE NAME: AUTOTURN EXHIBIT
 DRAWN BY: DDD FLD. BK. / PG. NO.: BK./PG.
 COMPLETION DATE: 08-06-24 JOB NO.: 402.161
 XREF : TOPO_2008, LOTCALC_2008, OVERALL PROJECT MANAGER : CRM

PLOT FILE CREATED: 8/13/2024 BY: KRISTIN STARNEL DRAWING PATH: P:\402161\DWG\LAND\CEMCON\EXHIBITS\AUTOTURN_EXHIBIT.DWG